



# PS-PAFS Series

Differential Pressure Air Flow Sensor Probes



## Overview

The PS-PAFS Differential Pressure Air Flow Sensor Probes are ideal for sensing differential pressure in the inlet section of variable air volume terminal units and fan terminal units. Units can also be used to sense differential pressure at other locations in the main or branch duct systems. The “H” port senses total pressure and the “L” port senses static pressure. The difference between these signals is the differential, or velocity pressure. Models offer up to ten sensing points and lengths of 3-5/32” to 23-29/32” (8.02 to 60.72 cm) to accommodate box sizes of 4” to 30” (10.16 to 76.20 cm).

## Applications

- Ideal for sensing differential pressure in the inlet section of variable air volume terminal units and fan terminal units.
- Sense differential pressure at other locations in the main or branch duct systems.

## Features & Benefits

- Senses differential pressure in the inlet section of variable air volume terminal units and fan terminal units
- Senses differential pressure at other locations in the main or branch duct systems.
- The “H” port senses total pressure and the “L” port senses static pressure.

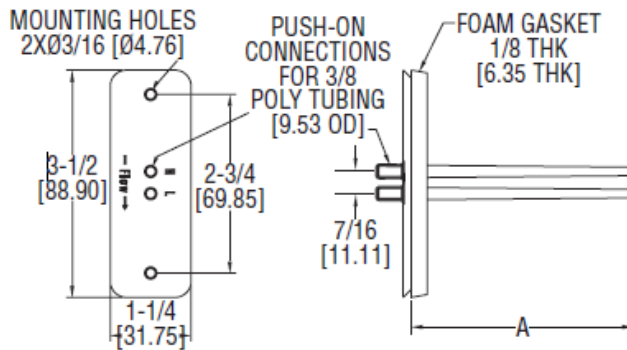
## Model Selection

Model	Number of Sensing Points	K-Factors	Sensor Length
PS-PAFS-1002	1	1.32	3-5/32" (8.02 cm)
PS-PAFS-1003	2	1.39	5-13/32" (13.73 cm)
PS-PAFS-1004	3	1.46	7-21/32" (19.55 cm)
PS-PAFS-1005	4	1.46	9-29/32" (25.26 cm)
PS-PAFS-1006	5	1.58	12-1/2" (31.75 cm)
PS-PAFS-1007	6	1.67	14-3/4" (37.47 cm)
PS-PAFS-1008	7	1.78	17-1/8" (43.50 cm)
PS-PAFS-1009	8	1.88	19-13/32" (49.29 cm)
PS-PAFS-1010	9	2.01	21-21/32" (55.01 cm)
PS-PAFS-1011	10	2.14	23-29/32" (60.72 cm)

## Specifications

Service	Air and compatible gases.
Wetted Materials	ABS/polycarbonate (UL94-5V).
Temperature Limits:	
<input type="checkbox"/> Operating	40 to 120°F (4 to 49°C);
<input type="checkbox"/> Storage	-40 to 140°F (-40 to 60°C).
Connection	1/4" (6 mm) ID, 3/8" (10 mm) OD tubing.
Mounting Orientation	Integral flange with gasket.
Weight	1 oz (28 g).

## Dimensions



Specifications subject to change without notice.  
 Distech Controls, and the Distech Controls logo are trademarks of Distech Controls Inc. All other trademarks are property of their respective owner.  
 ©, Distech Controls Inc., 2015 to 2017. All rights reserved.